

Datum-A-Industries, Inc.

Since 1981

Catalog 2010

JOHNSON BLOCK

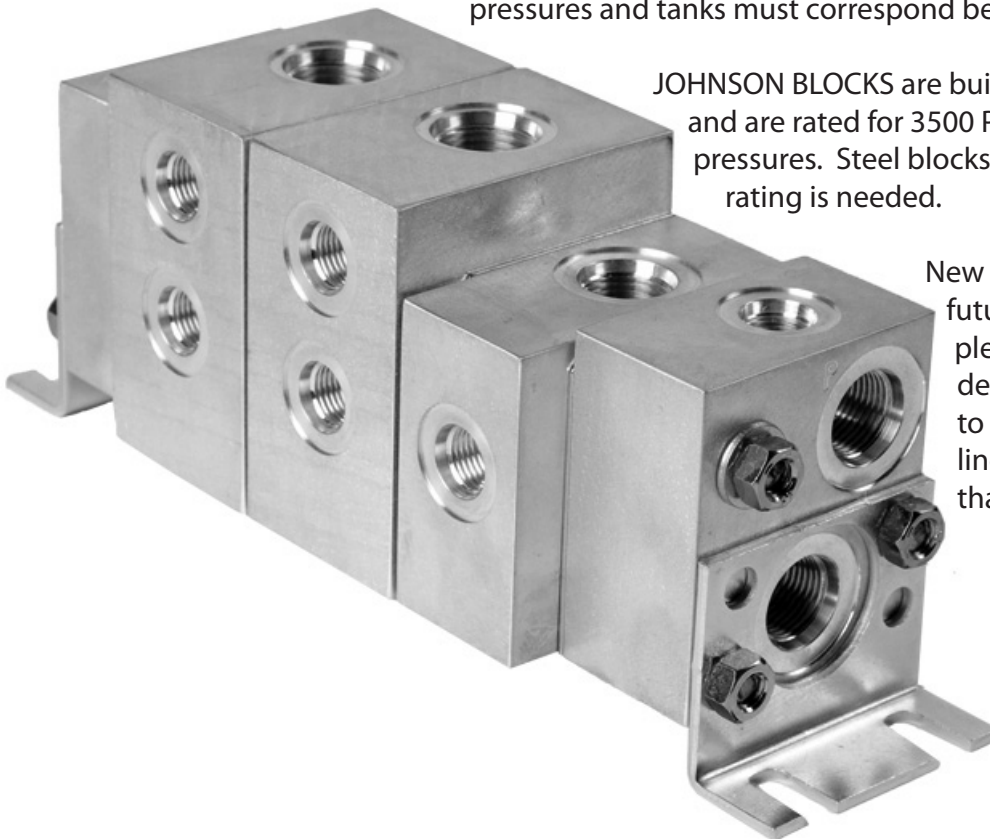
MANIFOLD SYSTEM™

If you're looking for a way to get custom manifolds without paying custom prices, JOHNSON BLOCKS may provide your solution. Utilizing a series of standard blocks pieced together for your specific needs, JOHNSON BLOCKS can be used to create inexpensive, customized manifolds.

Modular, bankable, stackable manifolds or valve packages are a proven technology used by many, if not most, major manufactures for the last 40 plus years. JOHNSON BLOCKS can be used for mobile and industrial applications. With modern manufacturing techniques and equipment, these modular pieces guarantee high quality and consistent dependability.

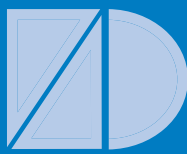
At Datum-A-Industries, home of the JOHNSON BLOCK, blank modules are kept in stock for fast conversion into specials, cutting the leadtime to days for many custom blocks.

When building a circuit with JOHNSON BLOCKS, great care must be taken in selecting a block to use with a particular valve, since flow paths vary from one manufacturer to another and one valve model to another. We can help you compare the section view of the JOHNSON BLOCK with the catalog page of the specific valve to be used. The ins and outs and pressures and tanks must correspond between the valve and the block.



JOHNSON BLOCKS are built from 6061-T6 aluminum and are rated for 3500 PSI operating pressures. Steel blocks can be made if higher PSI rating is needed.

New blocks will be added in the future. If you have a special need, please contact our engineering department, since we may be able to add a block to our product line that will meet your specific needs.

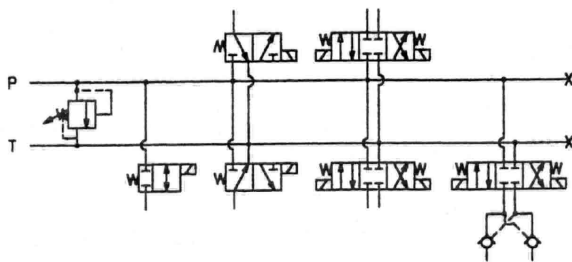
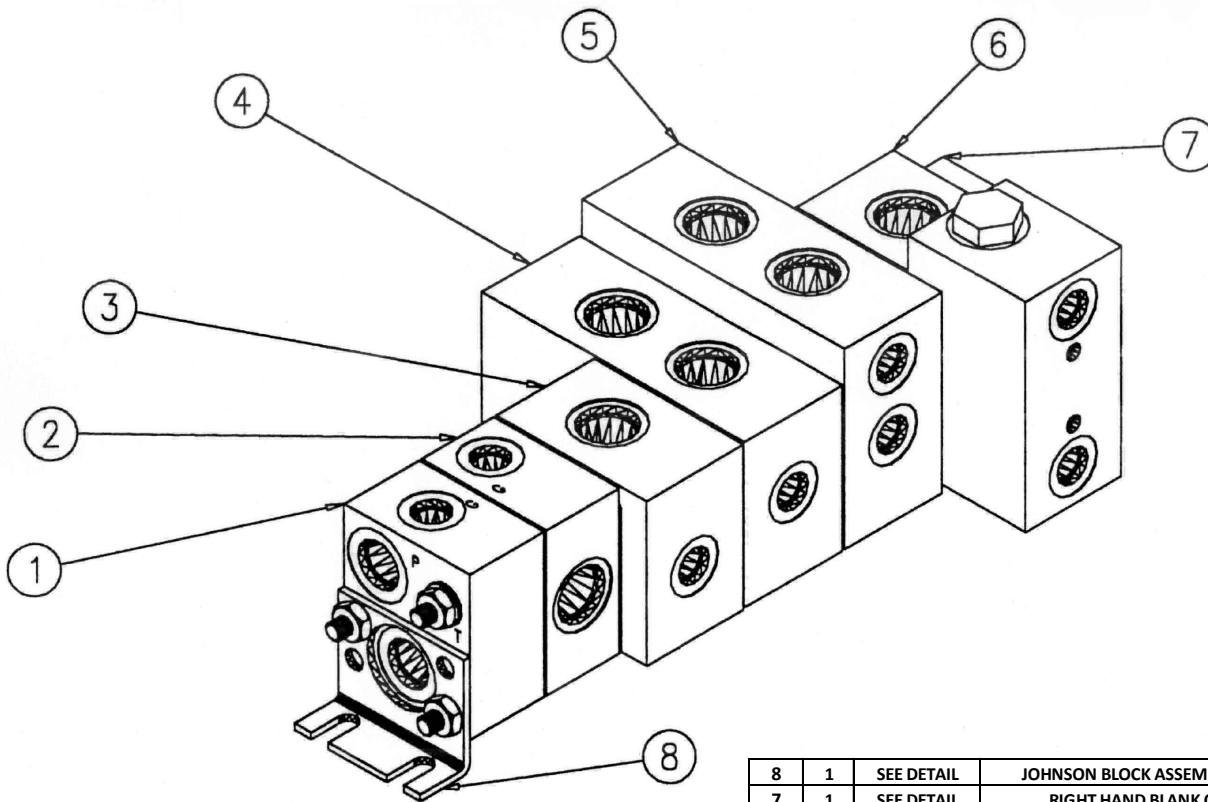


Datum-A-Industries, Inc.

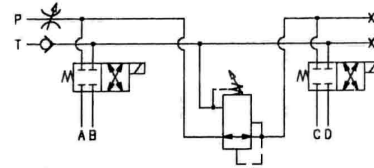
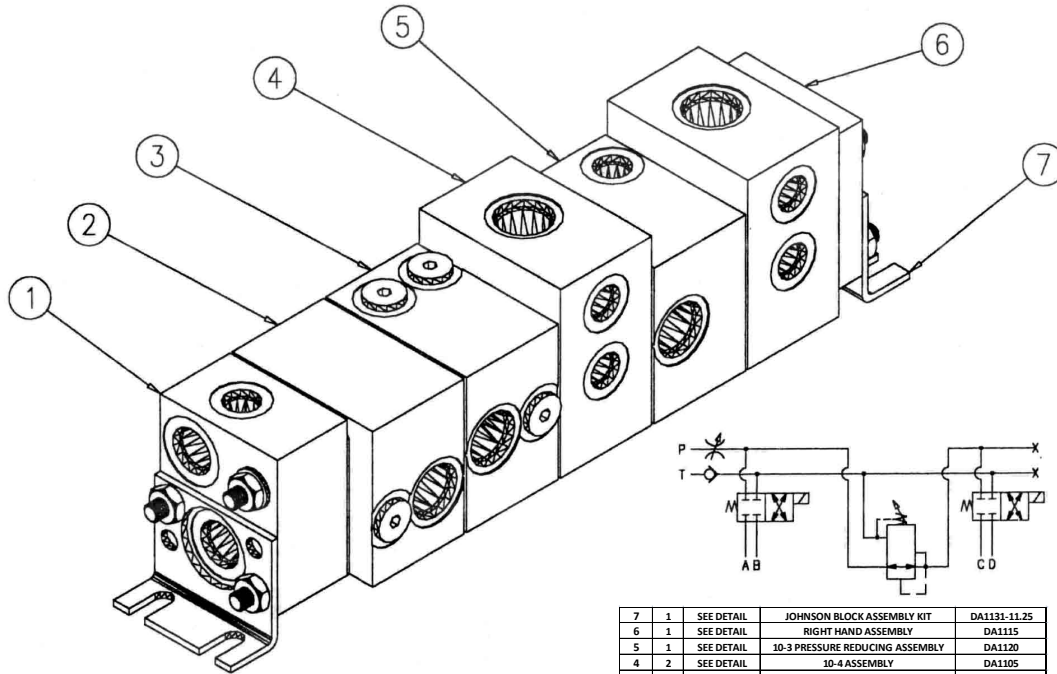
Since 1981

Catalog 2010

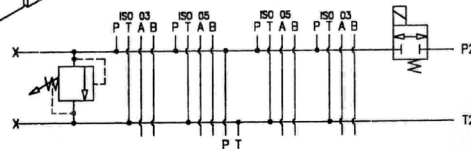
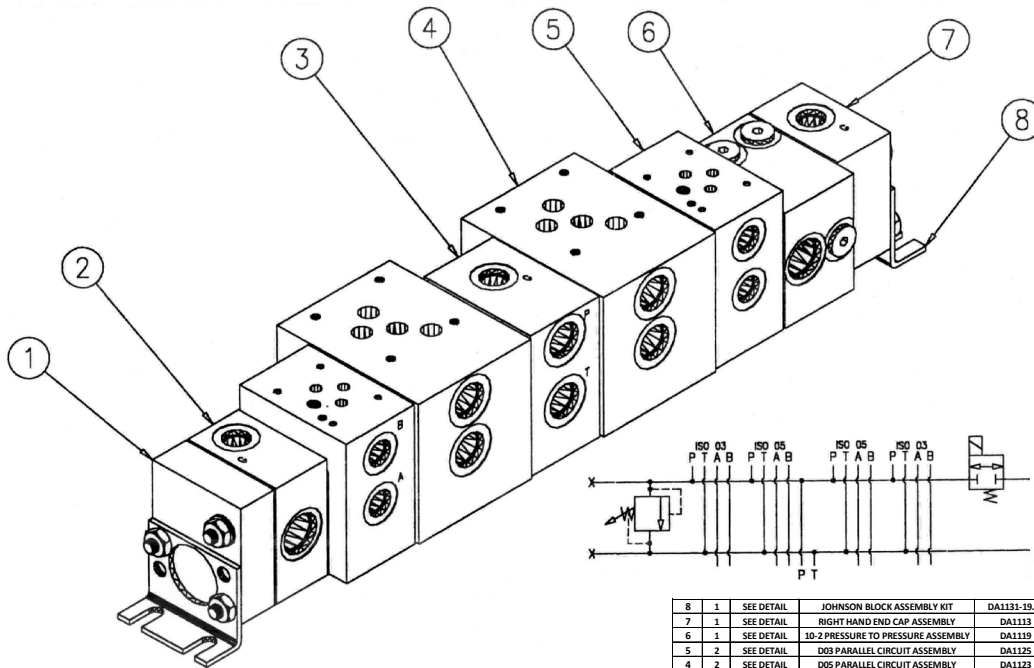
Typical Circuits/Assemblies



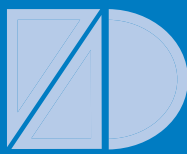
8	1	SEE DETAIL	JOHNSON BLOCK ASSEMBLY KIT	DA1131-13.00
7	1	SEE DETAIL	RIGHT HAND BLANK CAP	DA1115
6	1	SEE DETAIL	10-4--6S-A W/POC ASSEMBLY	DA1132
5	1	SEE DETAIL	DUPLEX 10-4 ASSEMBLY	DA1111
4	1	SEE DETAIL	DUPLEX 10-3 ASSEMBLY	DA1109
3	1	SEE DETAIL	10-2 ASSEMBLY	DA1101
2	1	SEE DETAIL	10-2 PRESSURE TO TANK ASSEMBLY	DA1117
1	1	SEE DETAIL	LEFT HAND END CAP	DA1114
ITEM	QTY	MATERIAL	DESCRIPTION	PART NUMBER



7	1	SEE DETAIL	JOHNSON BLOCK ASSEMBLY KIT	DA1131-11.25
6	1	SEE DETAIL	RIGHT HAND ASSEMBLY	DA1115
5	1	SEE DETAIL	10-3 PRESSURE REDUCING ASSEMBLY	DA1120
4	2	SEE DETAIL	10-4 ASSEMBLY	DA1105
3	1	SEE DETAIL	10-2 PRESSURE TO PRESSURE ASSEMBLY	DA1119
2	1	SEE DETAIL	10-2 LEFT HAND TANK TO TANK ASSEMBLY	DA1141
1	1	SEE DETAIL	LEFT HAND END ASSEMBLY	DA1134
ITEM	REQ	MATERIAL	DESCRIPTION	PART NUMBER



8	1	SEE DETAIL	JOHNSON BLOCK ASSEMBLY KIT	DA1131-19.25
7	1	SEE DETAIL	RIGHT HAND END CAP ASSEMBLY	DA1113
6	1	SEE DETAIL	10-2 PRESSURE TO TANK ASSEMBLY	DA1119
5	2	SEE DETAIL	D03 PARALLEL CIRCUIT ASSEMBLY	DA1125
4	2	SEE DETAIL	D05 PARALLEL CIRCUIT ASSEMBLY	DA1123
3	1	SEE DETAIL	MID INLET ASSEMBLY	DA1112
2	1	SEE DETAIL	10-2 PRESSURE TO TANK ASSEMBLY	DA1117
1	1	SEE DETAIL	LEFT HAND END CAP ASSY	DA1116
ITEM	QTY	MATERIAL	DESCRIPTION	PART NUMBER



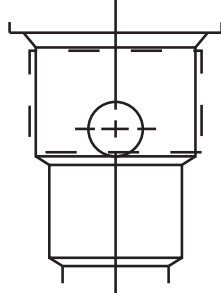
Datum-A-Industries, Inc.

Since 1981

Catalog 2010

COMMON CAVITY INTERCHANGE

08-2 CAVITY
(3/4-16 THREAD)
10-2 CAVITY
(7/8-14 THREAD)



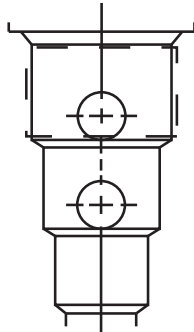
HYDRAFORCE
EATON/VICKERS/MODULAR
PARKER
COMPACT CONTROLS
DELTA
DELTROL
DANFOSS/FLUID CONTROLS
OILGEAR
COMMAND CONTROLS
STERLING
MANY OTHERS

8 SIZE

10 SIZE

VC08-2 VC10-2
C-8-2 C-10-2
C08-2 C10-2
CP8-2 CP10-2
40200005 40200000
080-2 100-2
FC-109 FC-316
N/A HS-600-2
N/A C1020
CAV02-2 CAV04-2
CONSULT FACTORY

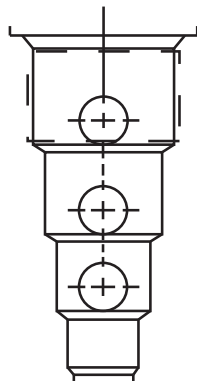
08-3 CAVITY
(3/4-16 THREAD)
10-3 CAVITY
(7/8-14 THREAD)



HYDRAFORCE
EATON/VICKERS/MODULAR
PARKER
COMPACT CONTROLS
DELTA
DELTROL
DANFOSS/FLUID CONTROLS
OILGEAR
COMMAND CONTROLS
STERLING
MANY OTHERS

VC08-3 VC10-3
N/A C-10-3
C08-3 C10-3
CP8-3 CP10-3
40200024 40200001
080-3 100-3
N/A FC-316A
N/A HS-600-3
N/A C1030
CAV02-3 CAV04-3
CONSULT FACTORY

08-4 CAVITY
(3/4-16 THREAD)
10-4 CAVITY
(7/8-14 THREAD)



HYDRAFORCE
EATON/VICKERS/MODULAR
PARKER
COMPACT CONTROLS
DELTA
DELTROL
DANFOSS/FLUID CONTROLS
OILGEAR
COMMAND CONTROLS
STERLING
MANY OTHERS

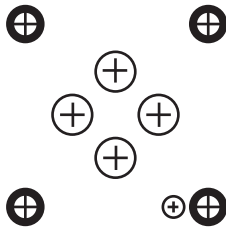
VC08-4 VC10-4
N/A C-10-4
C08-4 C10-4
CP8-4 CP10-4
40200029 40200002
080-4 100-4
N/A FC-316D
N/A HS-600-4
N/A C1040
CAV02-4 CAV04-4
CONSULT FACTORY



BOLT-ON VALVE INTERCHANGE

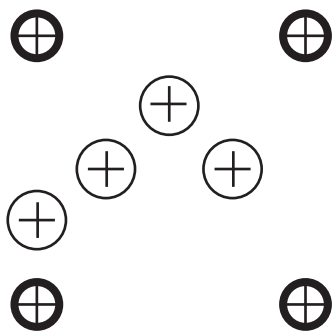
VALVE MODELS

ISO 03
(D03)



CONTINENTAL	VS5M, ED03M
DELTA	SERIES 4000
DENISON	A-3D01, D2D02-35
DOUBLE A	Q*-3
PARKER	D1VW
RACINE	1/8"
REXROTH	WE6, 4WRA6
RIVETT	65**-03
RUCKER/YUKEN	DSGR-01
VICKERS	SDG4V
NACHI	SSG01
RACINE-BOSCH	NG6

ISO 05
(D05)



CONTINENTAL	VS12M, ED05M
DENISON	DID04, 3D02, A-D2D04
DOUBLE A	Q*-5
PARKER	D3W
RACINE	1/4"
REXROTH	WE8, WE10
RIVETT	65**-02
RUCKER/YUKEN	DSG-03
VICKERS	DG4S4
NACHI	SSG03, E10, E20
RACINE-BOSCH	NG10



Datum-A-Industries, Inc.

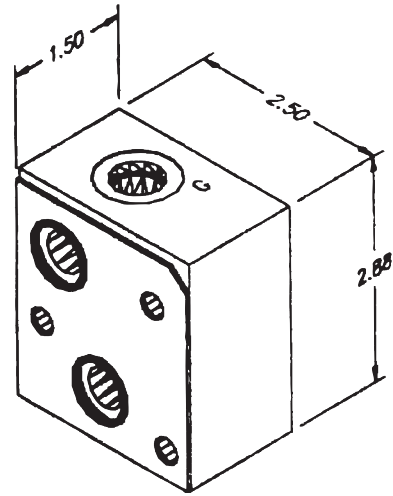
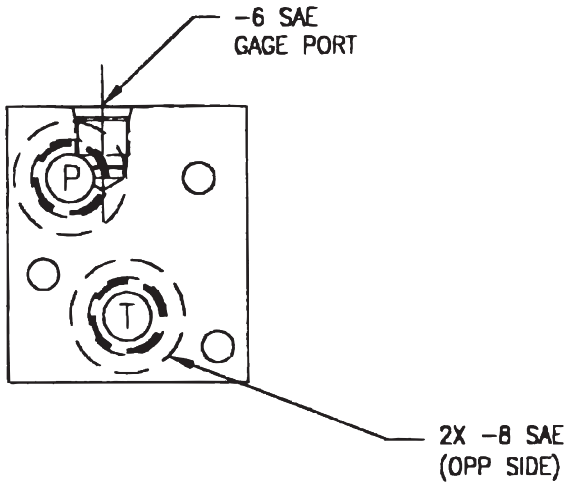
Since 1981

Catalog 2010

RH END CAP

P/N DA1113

*TO HAVE PRESSURE AND TANK PORTS
ON RIGHT END OF MANIFOLD*

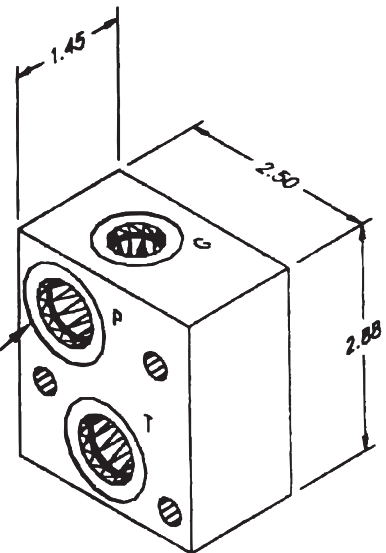
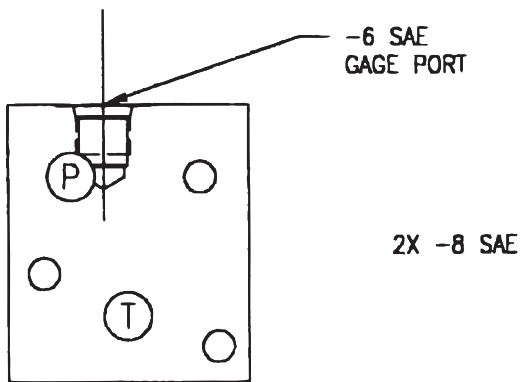


LH END CAP

P/N DA1114

(SEAL PLATE NOT REQD)

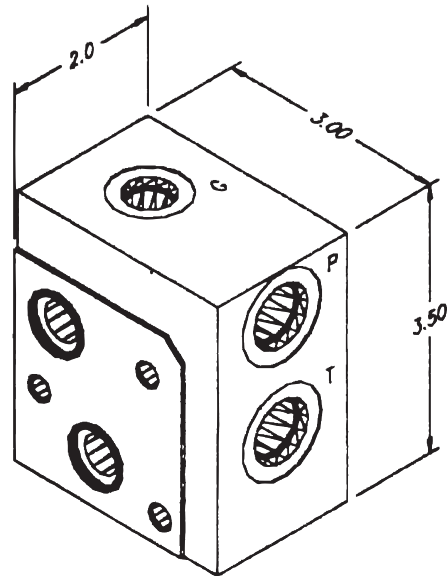
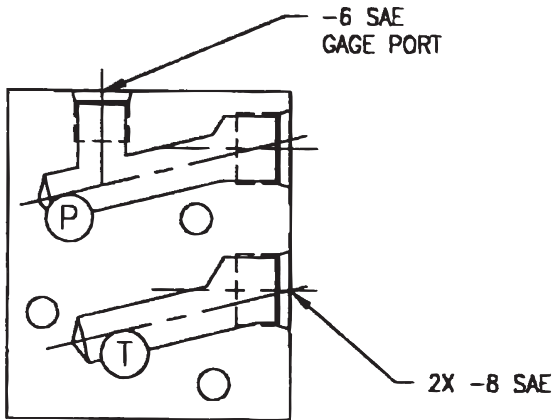
*TO HAVE PRESSURE AND TANK PORTS
ON LEFT END OF MANIFOLD*





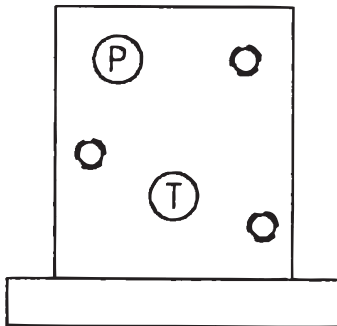
MID INLET
P/N DA1112

TO HAVE PRESSURE AND TANK PORTS
LOCATED ON SIDE OF MANIFOLD

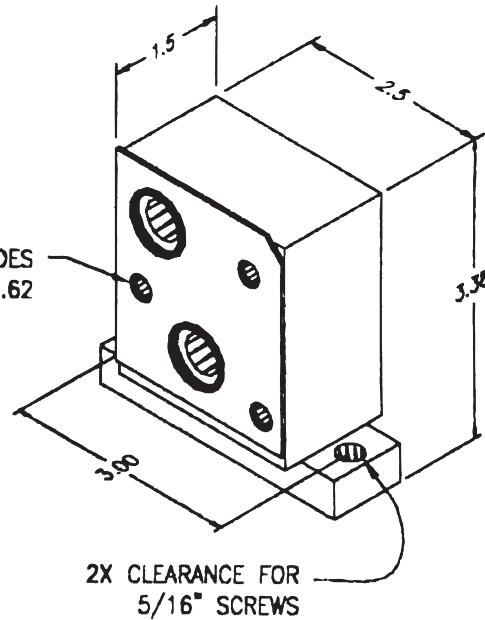


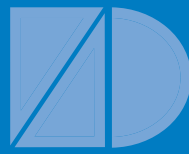
MID SUPPORT / COUPLER
P/N DA1130

FOR SEVERE (SHOCK) APPLICATIONS WHERE
EXTRA SUPPORT IS NEEDED. FOR LONGER
STACKS (OVER 21") OF MODULES.



3X FM BOTH SIDES
5/16-18UNC ∇ .62





Datum-A-Industries, Inc.

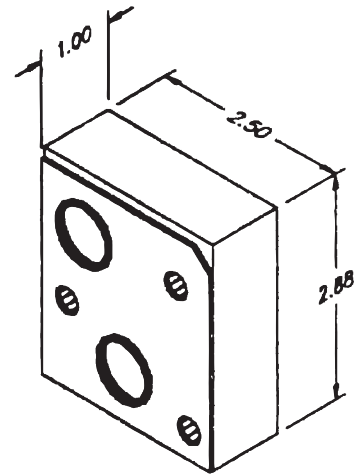
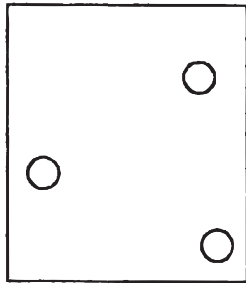
Since 1981

Catalog 2010

RH BLANK CAP

P/N DA1115

TO BLOCK OR CAP RIGHT SIDE OF MANIFOLD.

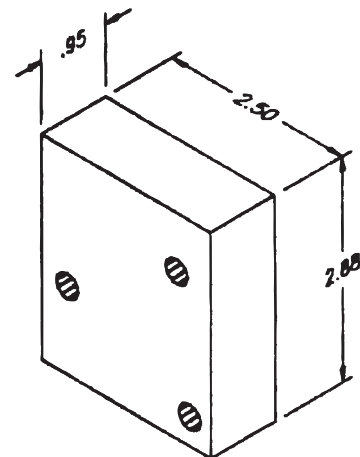
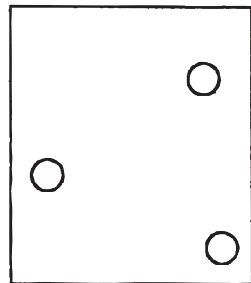


LH BLANK CAP

P/N DA1116

(SEAL PLATE NOT REQD)

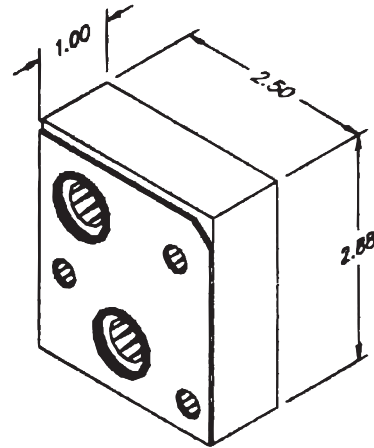
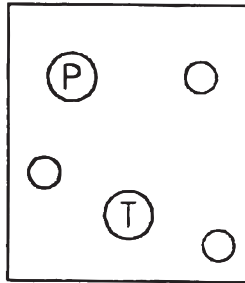
TO BLOCK OR CAP LEFT SIDE OF MANIFOLD.





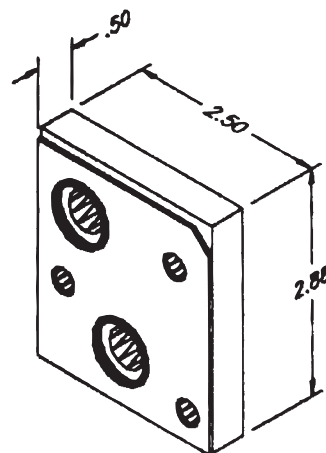
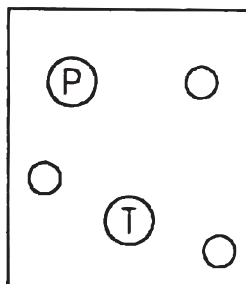
1" SPACER
P/N DA1127

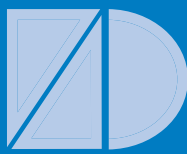
*USED TO SPACE PORTS FARTHER APART,
ALLOW ROOM FOR ELECTRICAL COILS, ETC.*



1/2" SPACER
P/N DA1128

*USED TO SPACE PORTS FARTHER APART,
ALLOW ROOM FOR ELECTRICAL COILS, ETC.*





Datum-A-Industries, Inc.

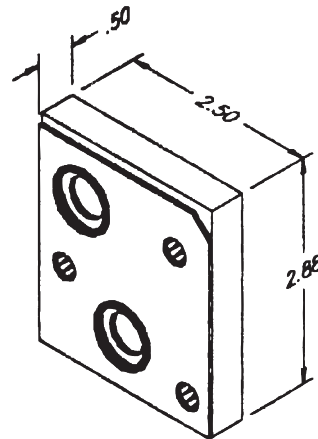
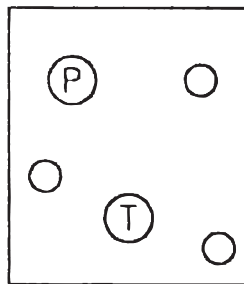
Since 1981

Catalog 2010

BLOCKING / ORIFICE MODULE

P/N DA1129

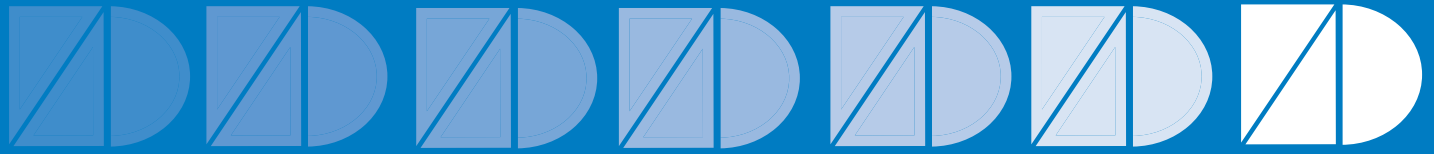
*TO BLOCK OR RESTRICT FLOW IN
PRESSURE AND/OR TANK LINES.*



**P AND T HAVE BEEN SPOT DRILLED FOR CONVERSION
INTO CUSTOM MODULES AT FACTORY OR BY CUSTOMER**

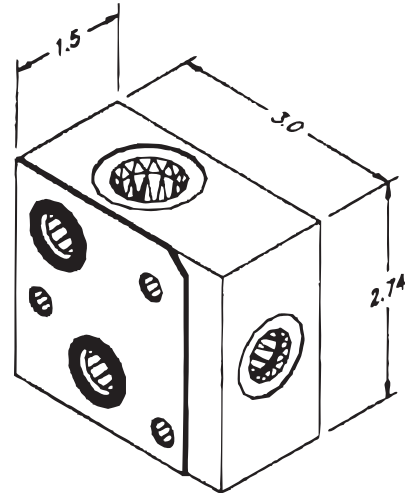
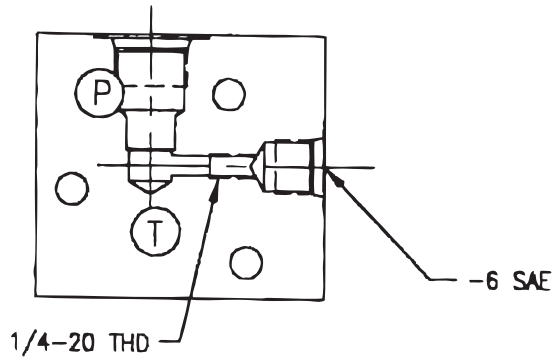
CUSTOMIZED BLOCKS AVAILABLE		
	P DRILLED THRU	T DRILLED THRU
DA1129-1	ϕ .50	BLOCKED
DA1129-2	BLOCKED	ϕ .50
DA1129-3-XXX	SPECIFY .031-.500	BLOCKED
DA1129-4-XXX	BLOCKED	SPECIFY .031-.500
DA1129-5-XXX-XXX	SPECIFY .031-.500	SPECIFY .031-.500

CONSULT FACTORY FOR YOUR SPECIAL NEEDS



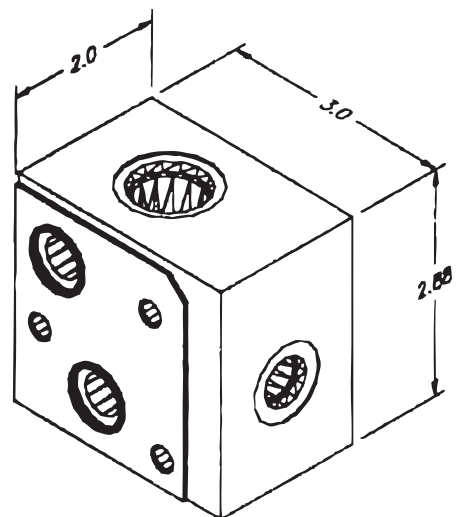
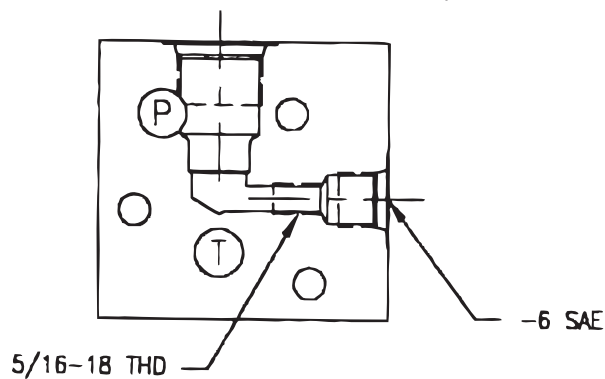
08-2 COMMON CAVITY
P/N DA1100

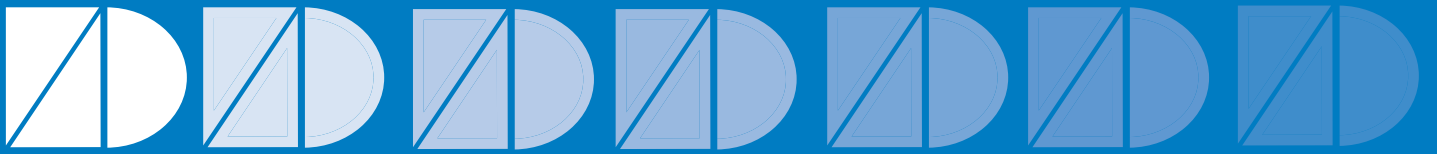
FOR 8 SIZE 2-WAY VALVES, NEEDLE VALVES, ETC.



10-2 COMMON CAVITY
P/N DA1101

FOR 10 SIZE 2-WAY VALVES, NEEDLE VALVES, ETC.





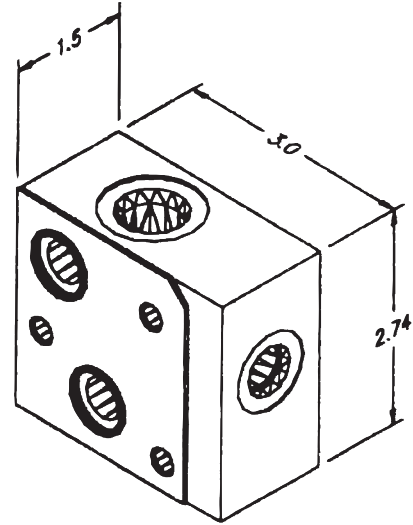
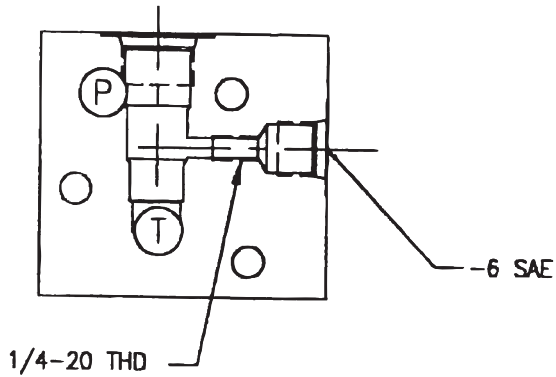
Datum-A-Industries, Inc.

Since 1981

Catalog 2010

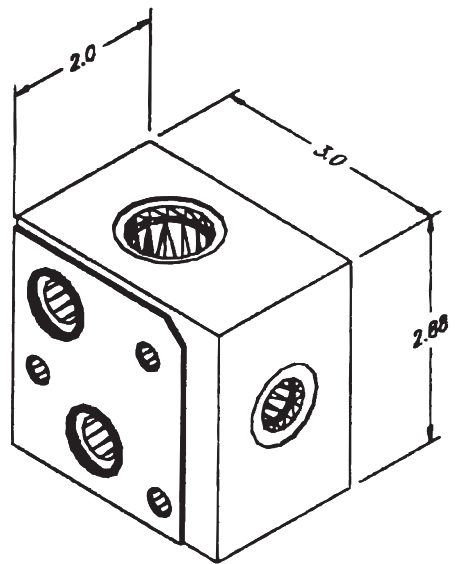
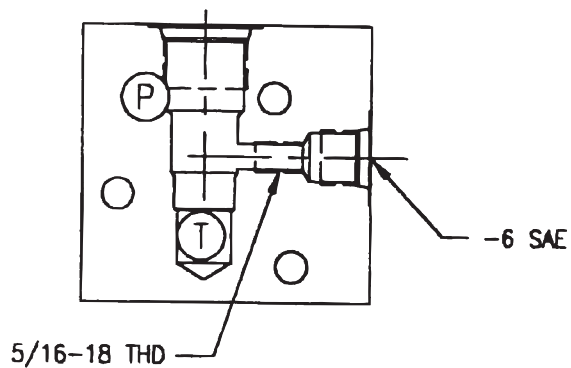
08-3 COMMON CAVITY
P/N DA1102

FOR 8 SIZE 3-WAY VALVES.



10-3 COMMON CAVITY
P/N DA1103

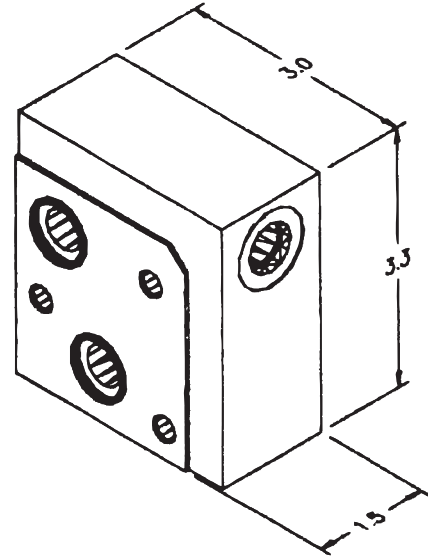
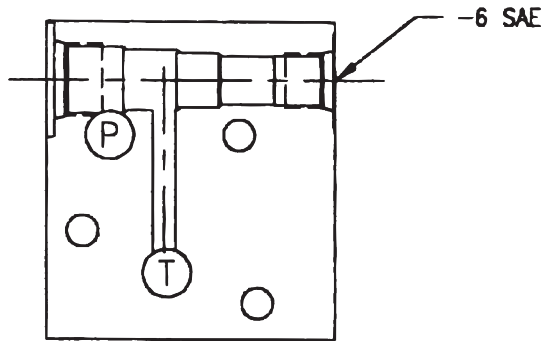
FOR 10 SIZE 3-WAY VALVES.





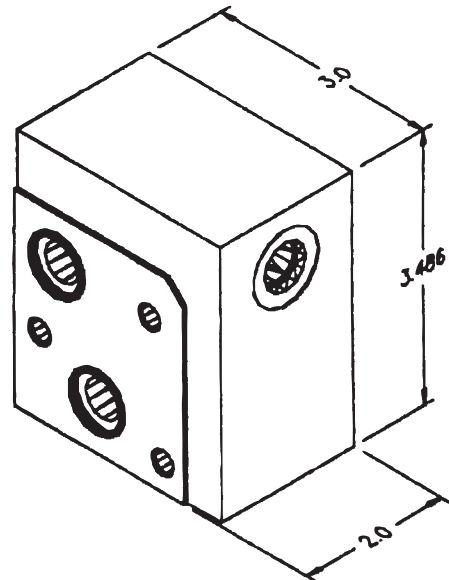
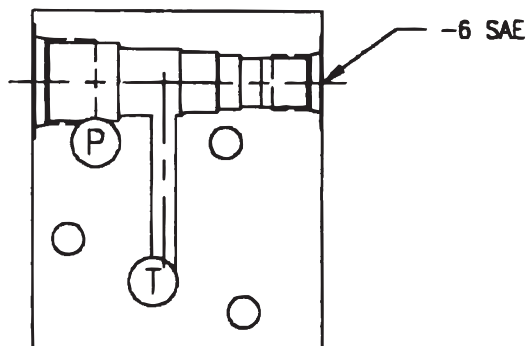
08-3 HORIZ
P/N DA1137

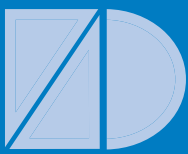
FOR 8 SIZE 3-WAY VALVES



10-3 HORIZ
P/N DA1138

FOR 10 SIZE 3-WAY VALVES





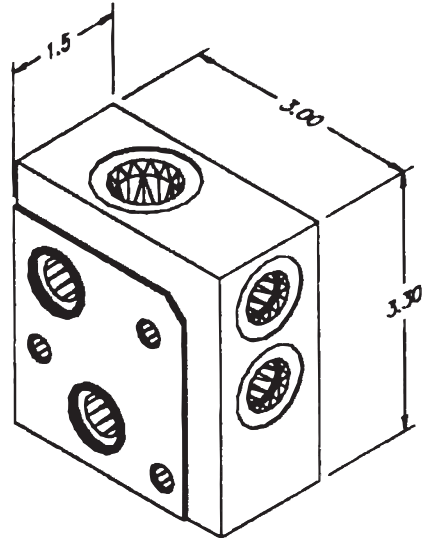
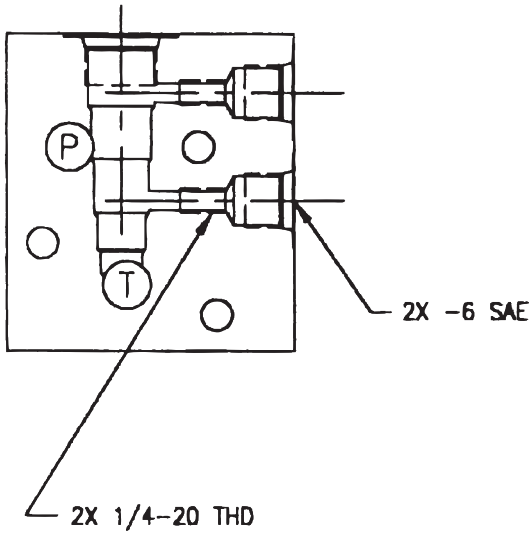
Datum-A-Industries, Inc.

Since 1981

Catalog 2010

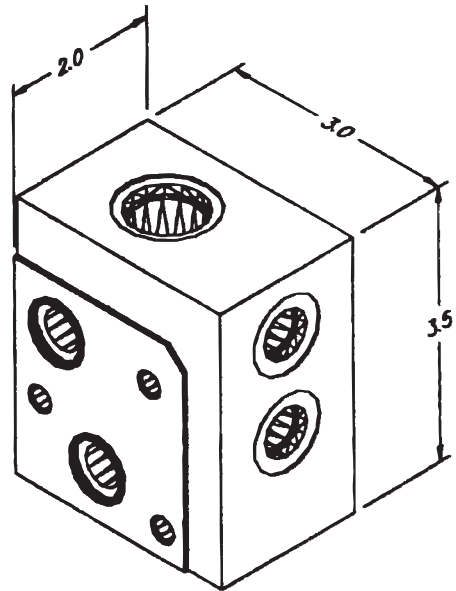
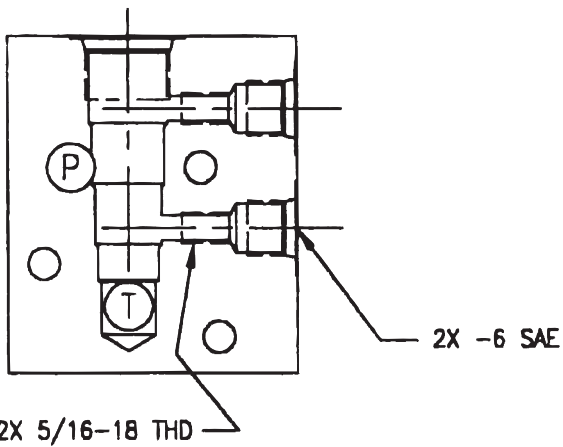
08-4 COMMON CAVITY
P/N DA1104

FOR 8 SIZE 4-WAY VALVES



10-4 COMMON CAVITY
P/N DA1105

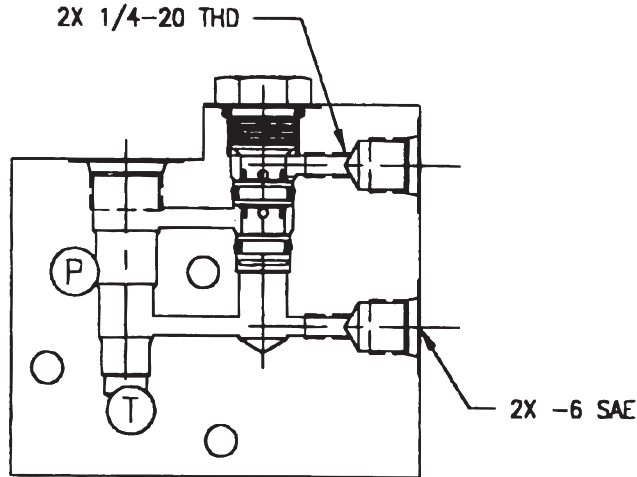
FOR 10 SIZE 4-WAY VALVES



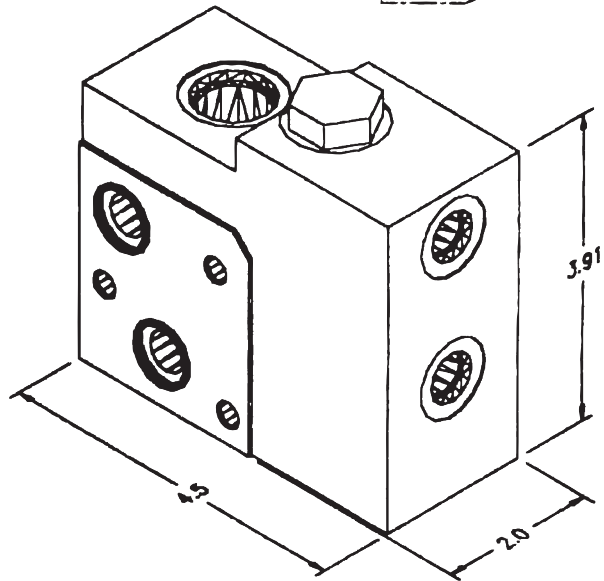
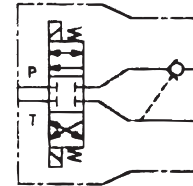


08-4 W/ POC (LOAD HOLDING)
(INCLUDES P.O. CHECK)
P/N DA1135

FOR 8 SIZE 4-WAY VALVES

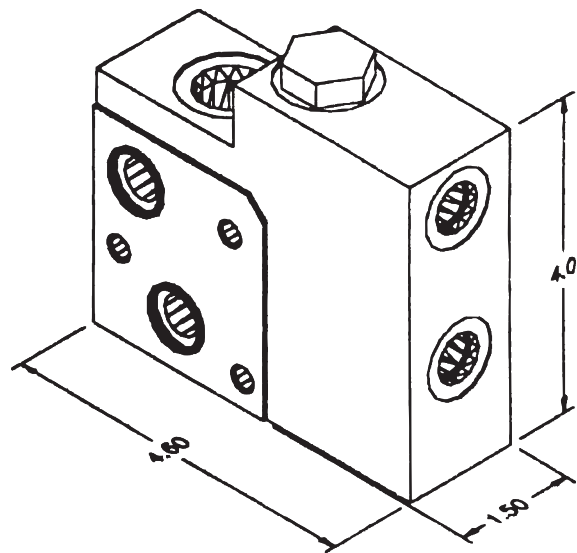
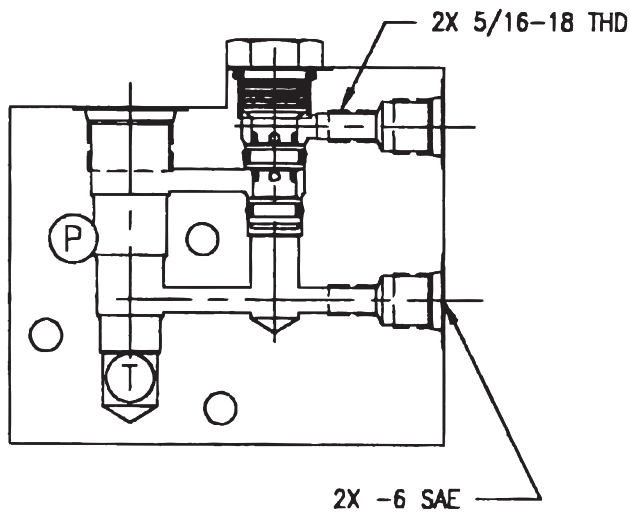


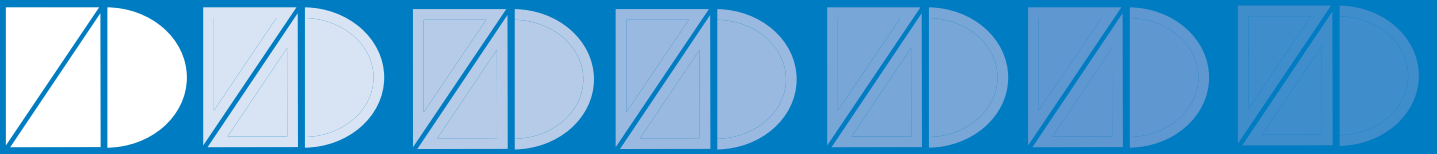
TYPICAL
 CIRCUIT
 (REF)



10-4 W/ POC (LOAD HOLDING)
(INCLUDES P.O. CHECK)
P/N DA1134

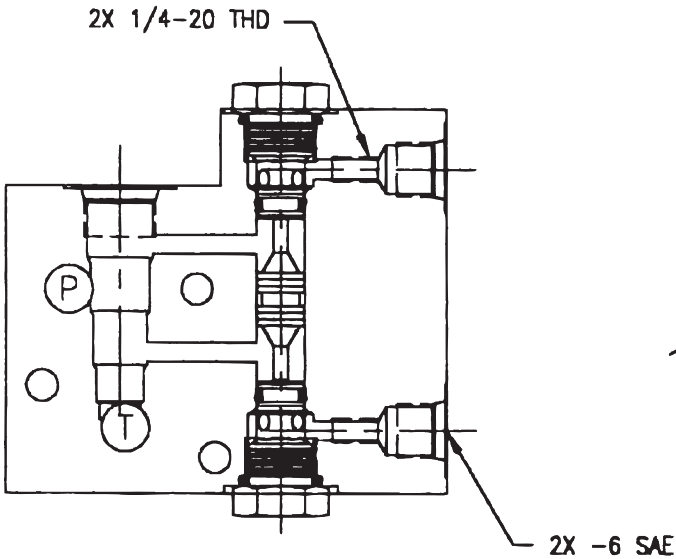
FOR 10 SIZE 4-WAY VALVES



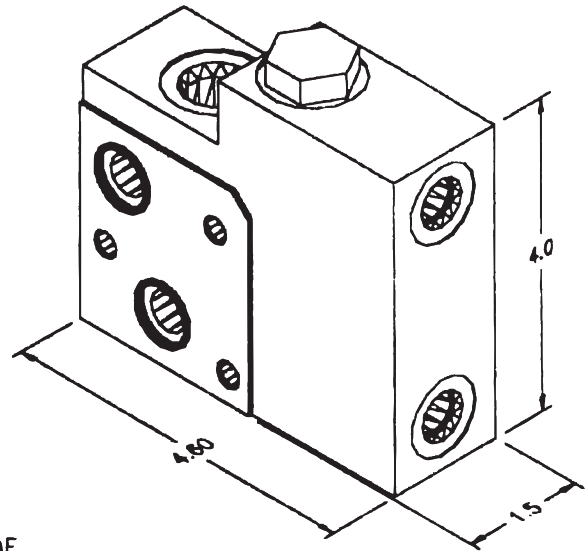
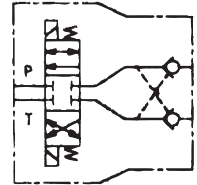


08-4 W/ DUAL POC (LOAD HOLDING)
DUAL PILOT OPERATED CHECKS INCLUDED
P/N DA1133

FOR 8 SIZE 4-WAY VALVES

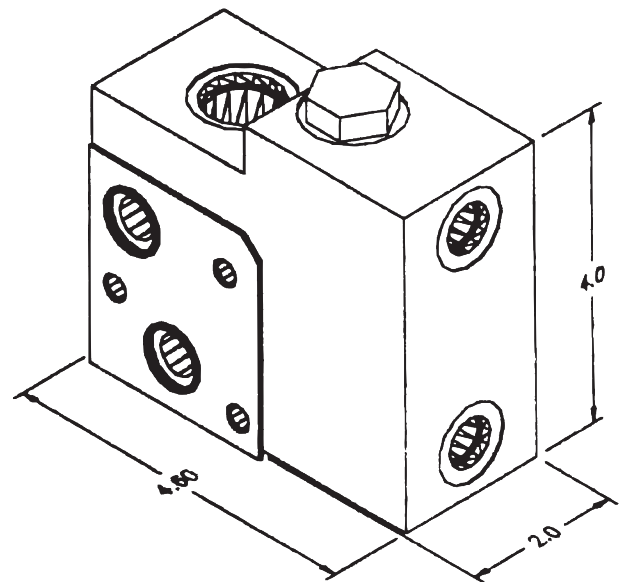
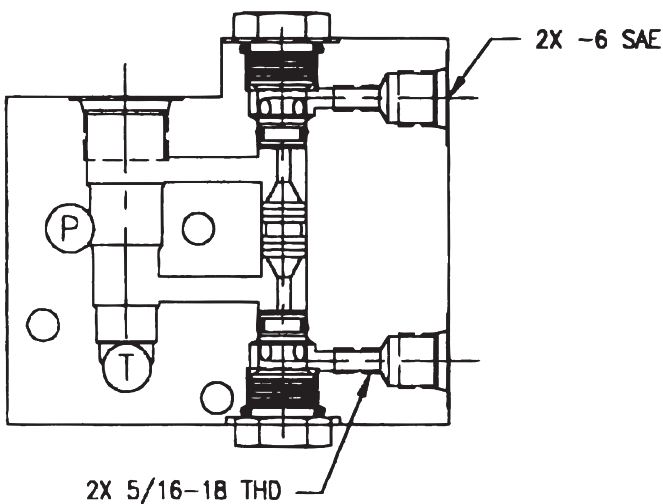


TYPICAL
CIRCUIT
(REF)



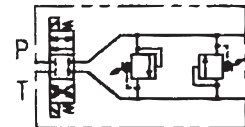
10-4 W/ DUAL POC (LOAD HOLDING)
DUAL PILOT OPERATED CHECKS INCLUDED
P/N DA1132

FOR 10 SIZE 4-WAY VALVES



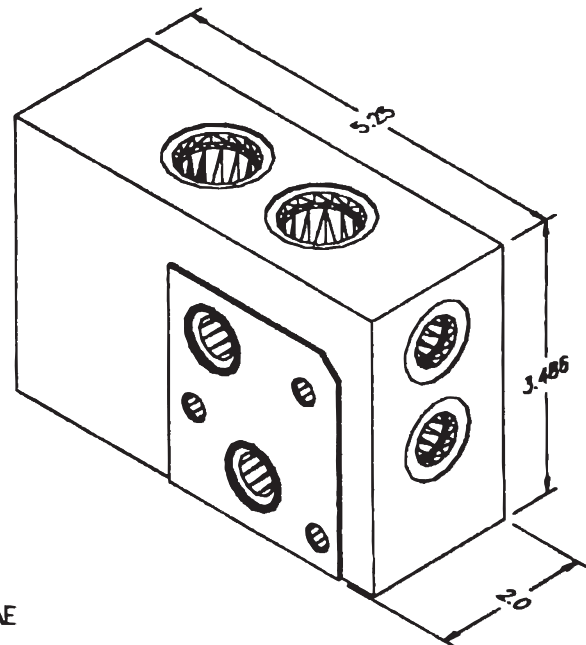
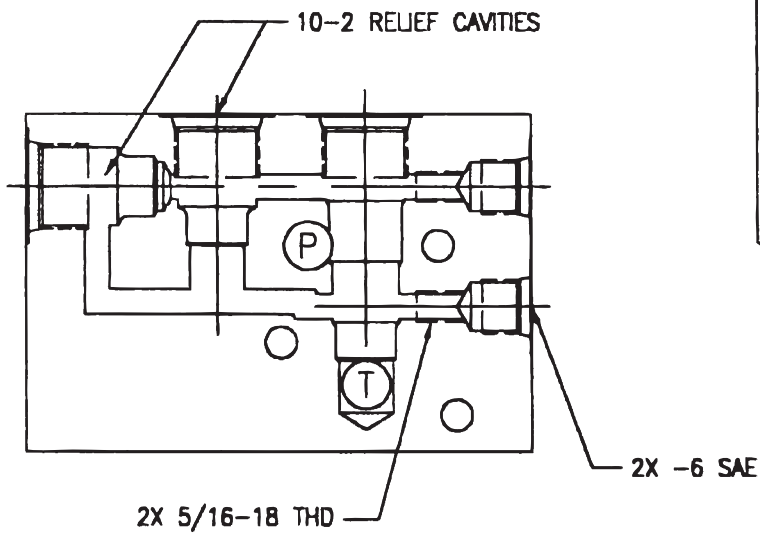


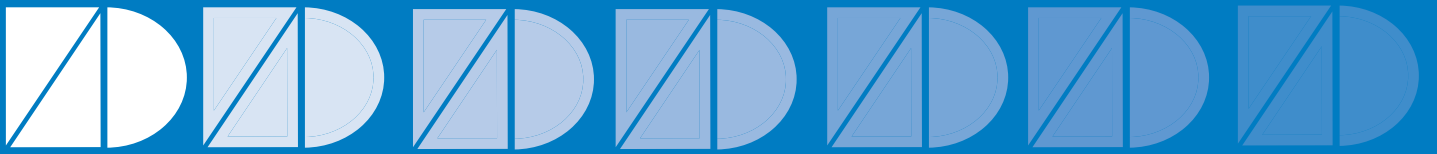
TYPICAL
CIRCUIT
(REF)



**10-4 COMMON CAVITY
W/ DUAL CROSS-OVER RELIEF
P/N DA1139**

FOR 10 SIZE 4-WAY VALVES

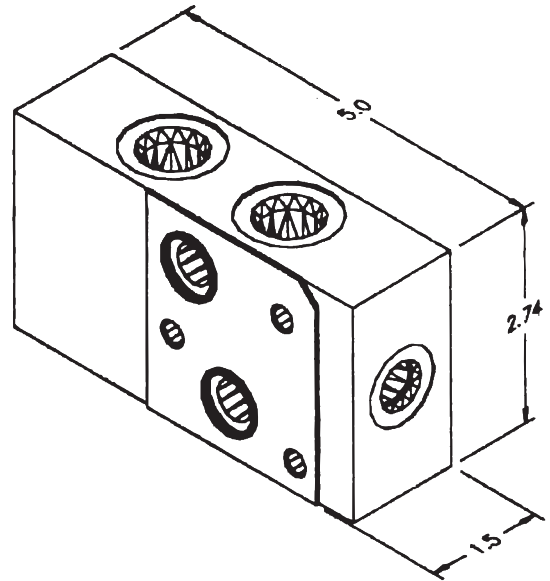
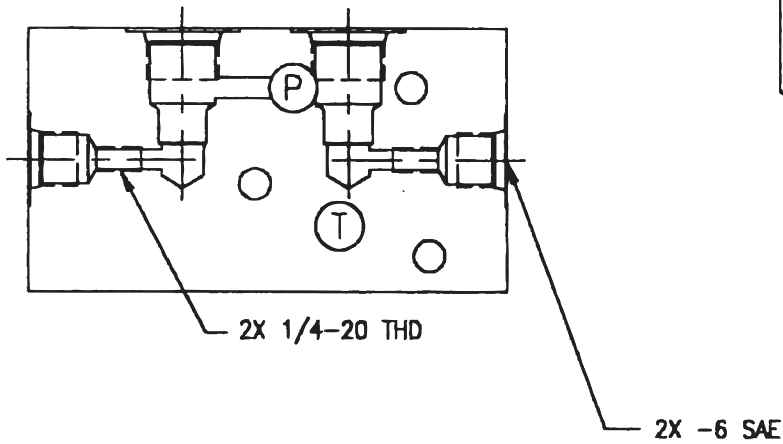




DUPLEX 08-2 COMMON CAVITY

P/N DA1106

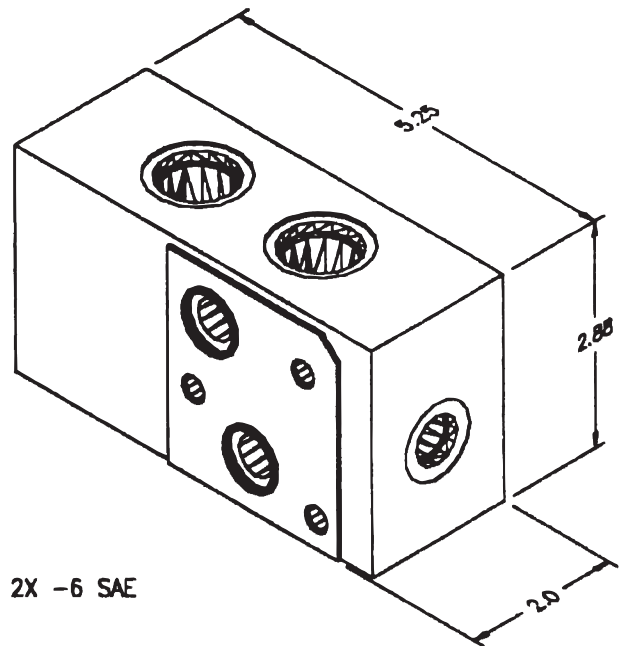
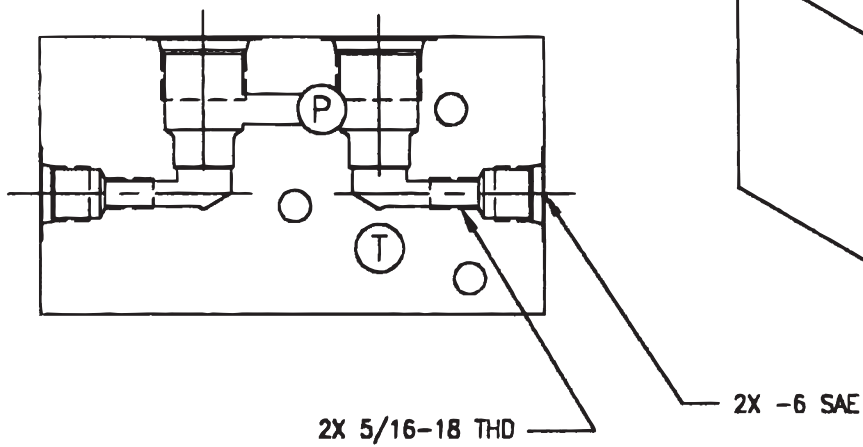
FOR 8 SIZE 2-WAY VALVES



DUPLEX 10-2 COMMON CAVITY

P/N DA1107

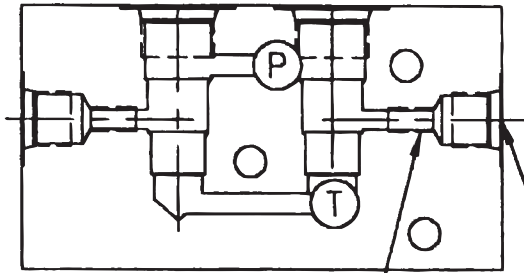
FOR 10 SIZE 2-WAY VALVES





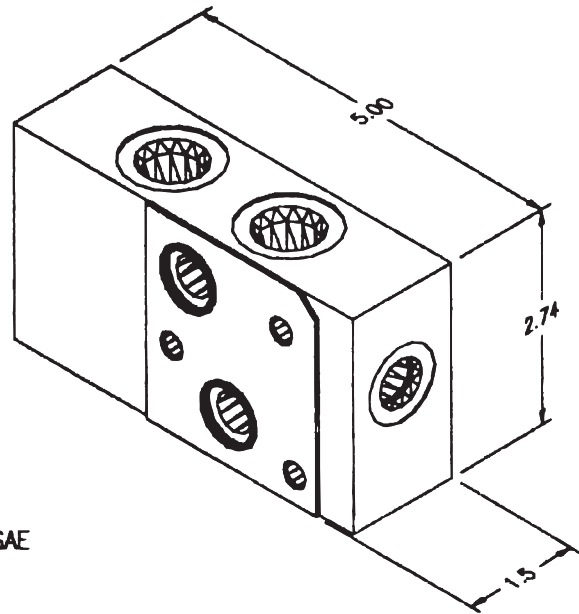
DUPLEX 08-3 COMMON CAVITY
P/N DA1108

FOR 8 SIZE 3-WAY VALVES



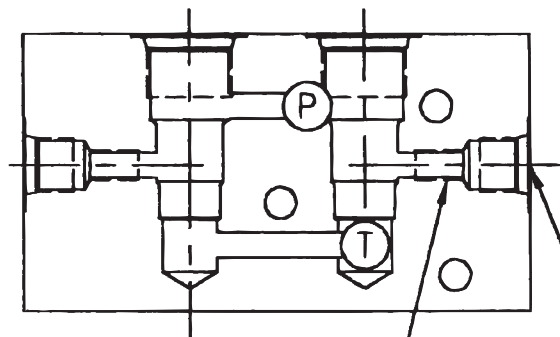
2X 1/4-20 THD

2X -6 SAE



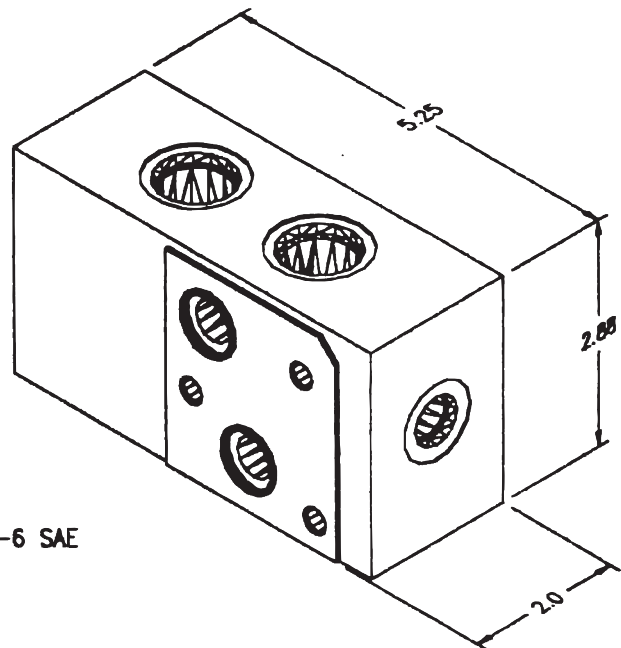
DUPLEX 10-3 COMMON CAVITY
P/N DA1109

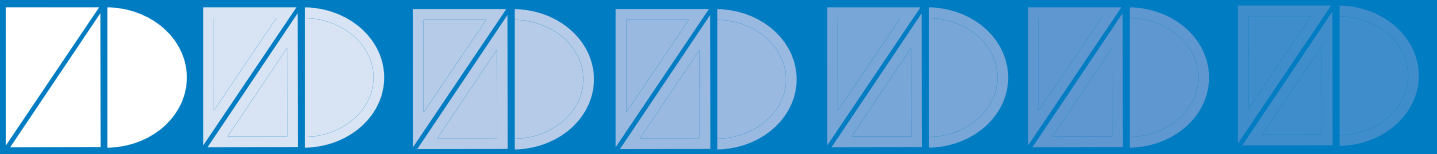
FOR 10 SIZE 3-WAY VALVES



2X 5/16-18 THD

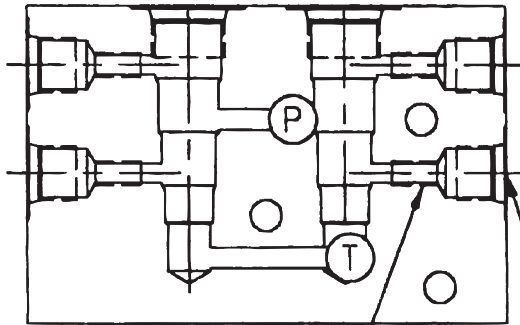
2X -6 SAE



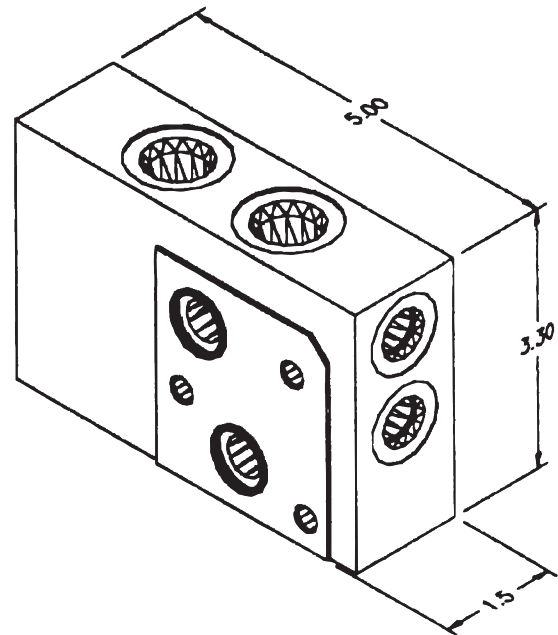


DUPLEX 08-4 COMMON CAVITY
P/N DA1110

FOR 8 SIZE 4-WAY VALVES



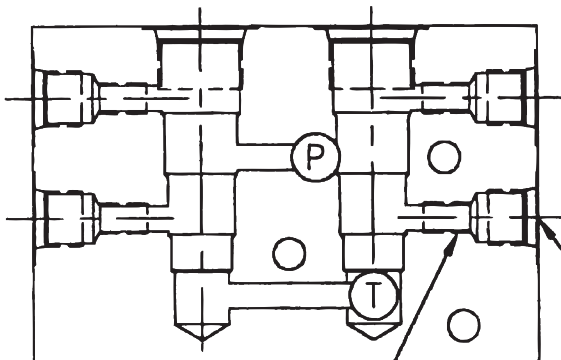
4X 1/4-20 THD



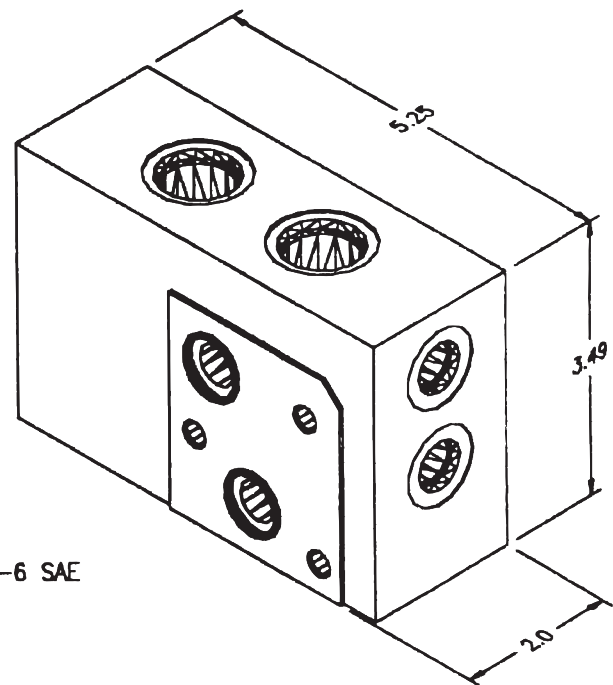
4X -6 SAE

DUPLEX 10-4 COMMON CAVITY
P/N DA1111

FOR 10 SIZE 4-WAY VALVES



4X 5/16-18 THD



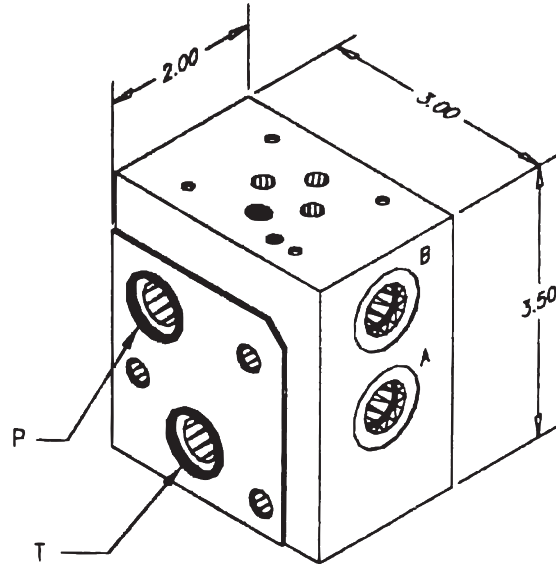
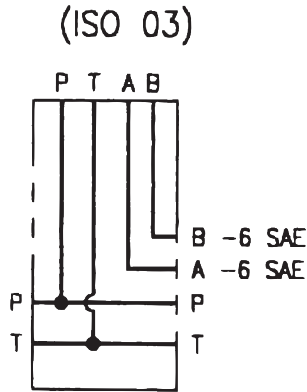
4X -6 SAE



ISO 03 PARALLEL CIRCUIT

P/N DA1125

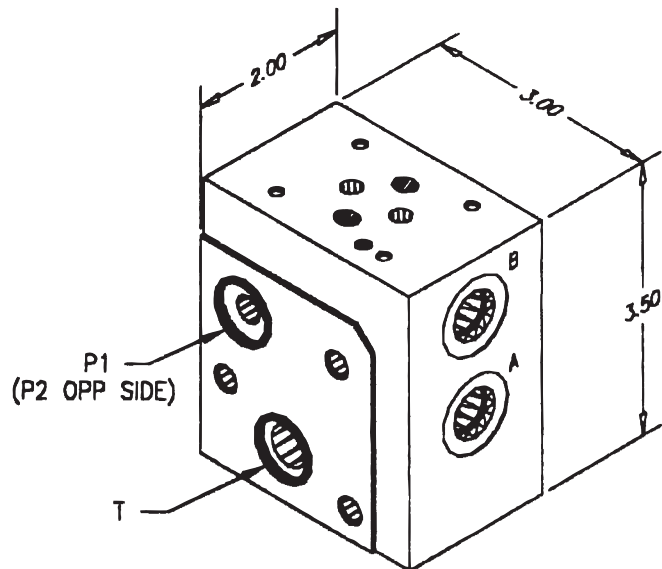
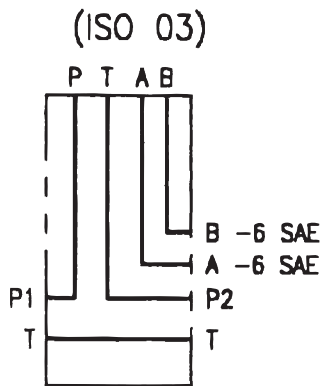
FOR ISO 03 (DO3) VALVES

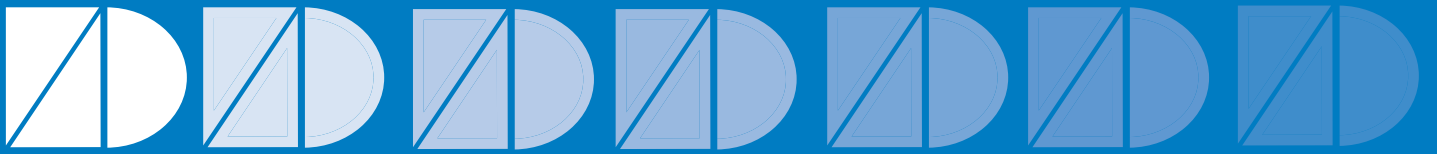


ISO 03 SERIES CIRCUIT

P/N DA1126

FOR ISO 03 (DO3) VALVES

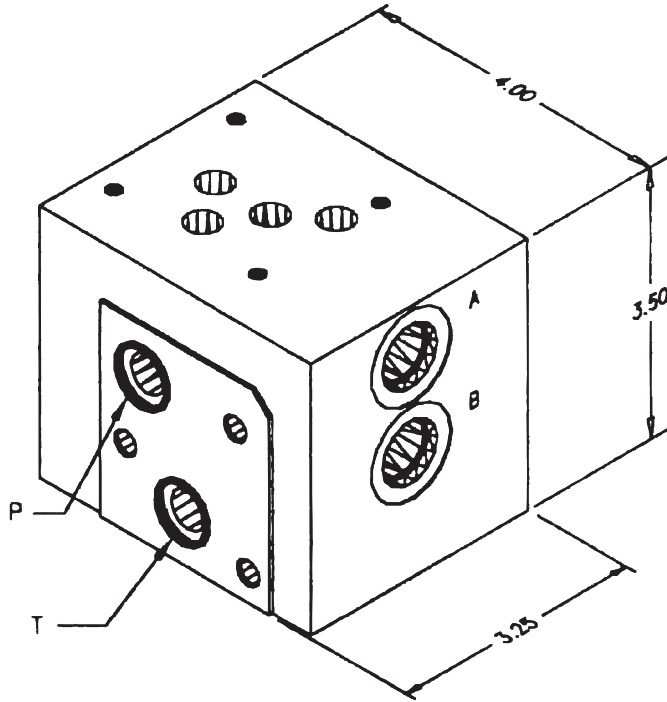
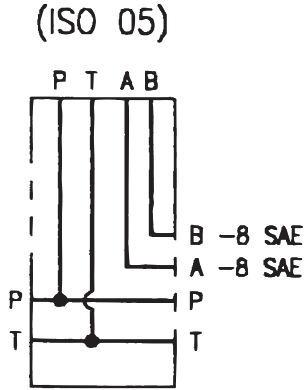




ISO 05 PARALLEL CIRCUIT

P/N DA1123

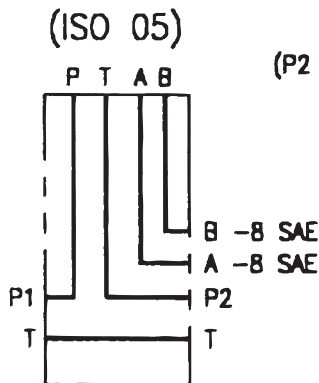
FOR ISO 05 (D05) VALVES



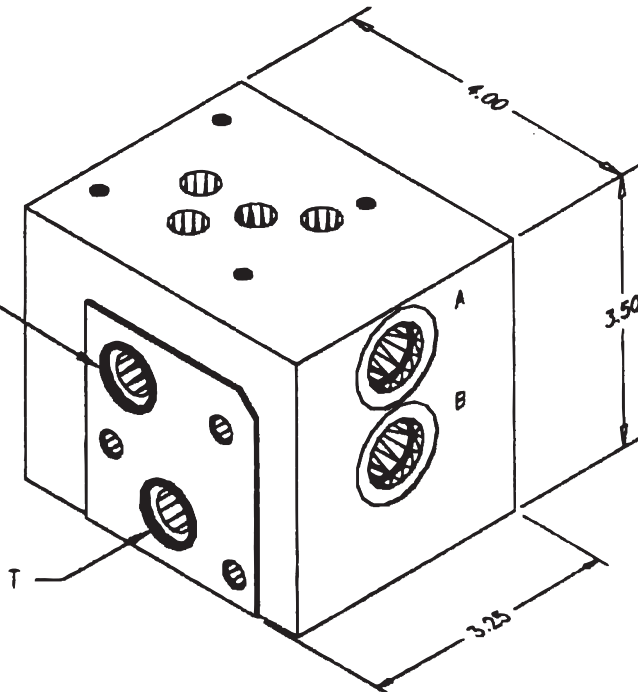
ISO 05 SERIES CIRCUIT

P/N DA1124

FOR ISO 05 (D05) VALVES



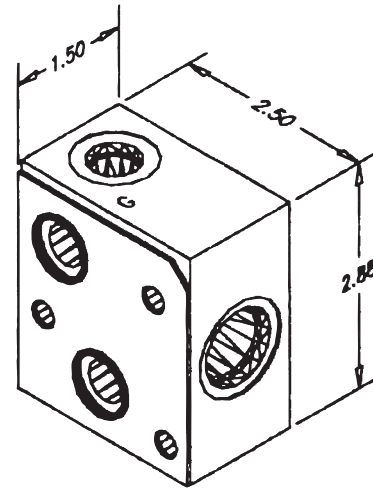
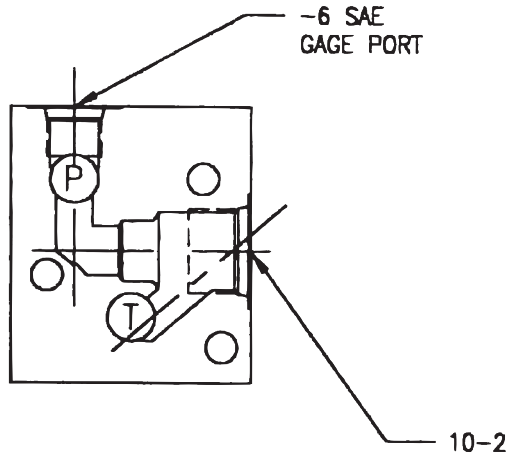
P1
(P2 OPP SIDE)





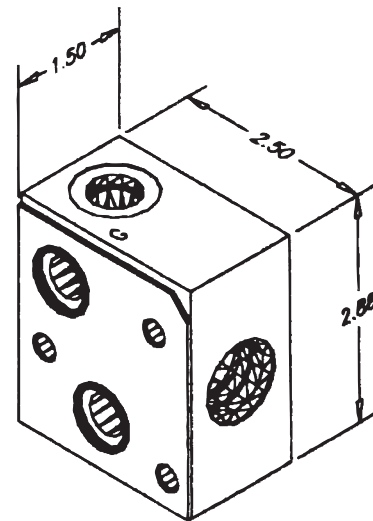
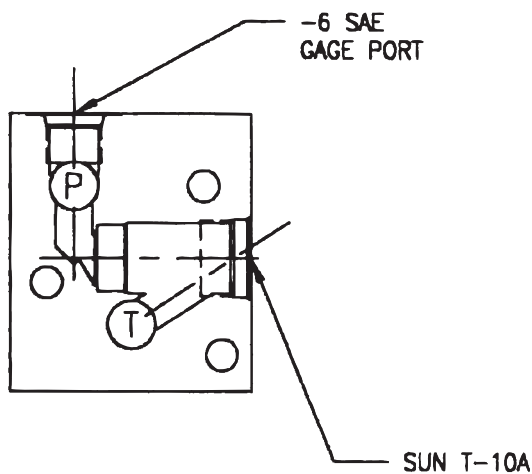
**10-2 COMMON CAVITY
PRESSURE TO TANK
P/N DA1117**

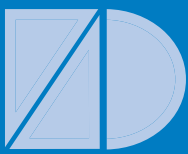
FOR 10 SIZE RELIEF VALVE, DUMP VALVE, ETC.



**SUN T-10A CAVITY
PRESSURE TO TANK
P/N DA1118**

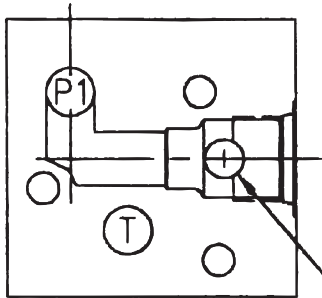
FOR SUN RELIEF VALVE, ETC.





**10-2 COMMON CAVITY
PRESSURE TO PRESSURE
P/N DA1119**

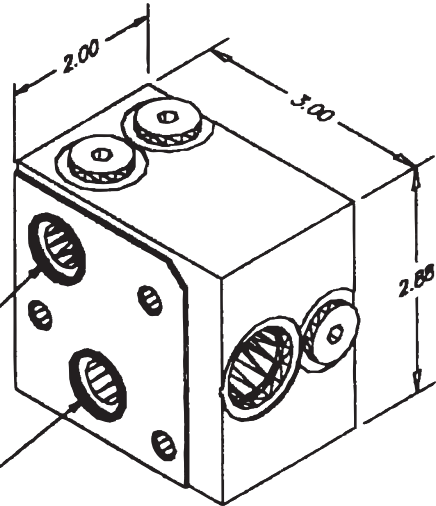
*FOR 10 SIZE 2-WAY VALVES, NEEDLE VALVES,
FLOW CONTROL, ETC.*



TO P2

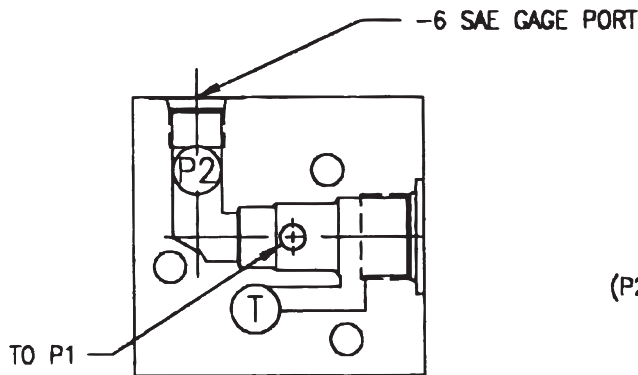
P1
(P2 OPP SIDE)

T



**10-3 COMMON CAVITY
P/N DA1120**

*FOR 10 SIZE PRESSURE REDUCING VALVES,
SEQUENCE VALVES, ETC.*

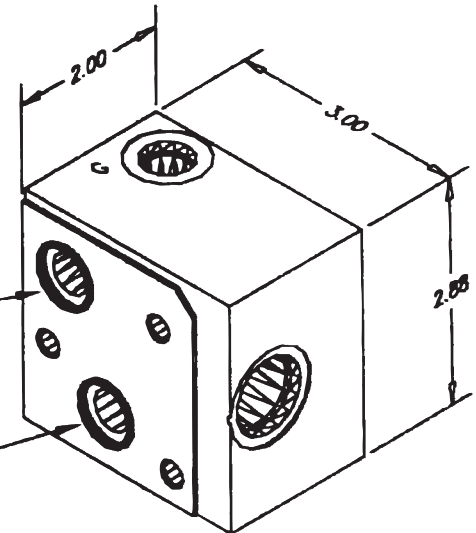


TO P1

-6 SAE GAGE PORT

P1
(P2 OPP SIDE)

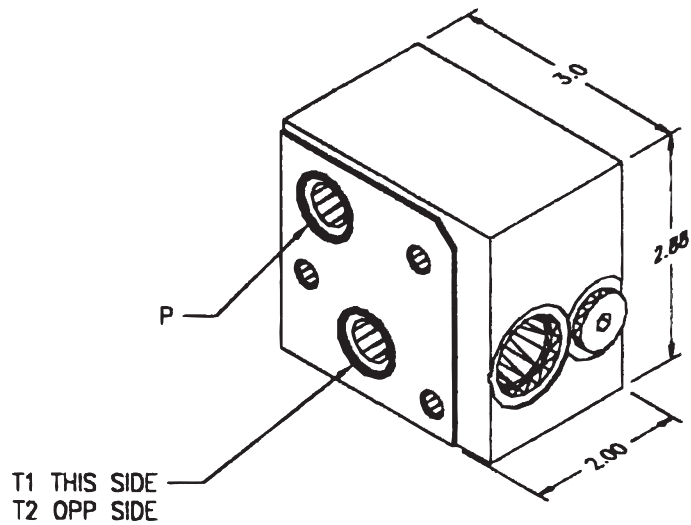
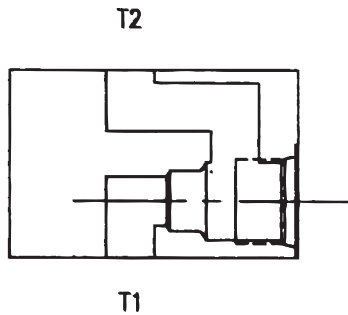
T





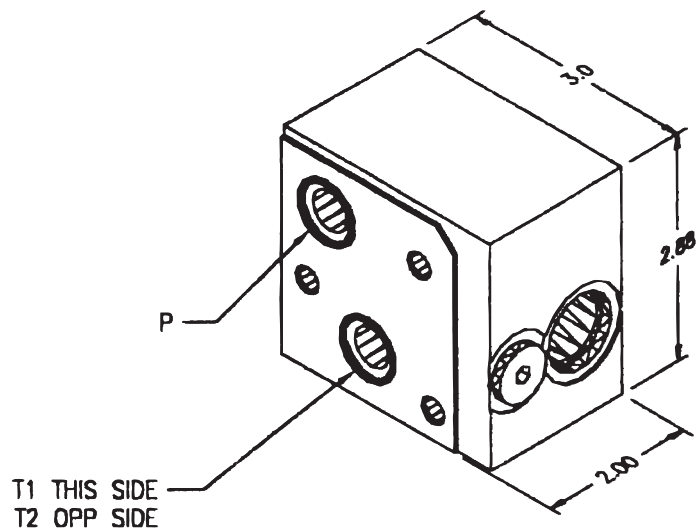
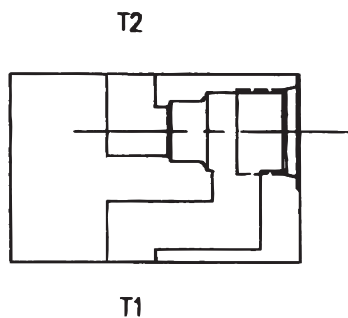
**10-2 COMMON CAVITY
TANK TO TANK
P/N DA1140**

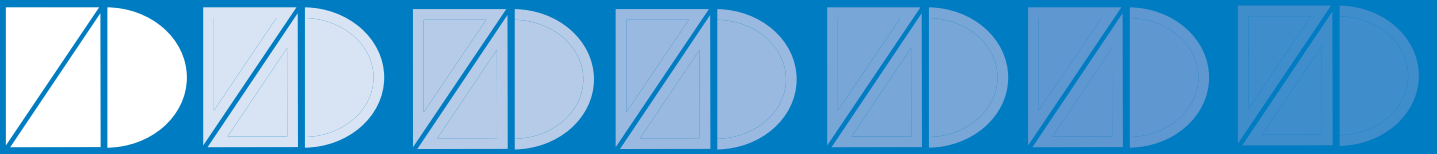
FOR TANK LINE CHECK VALVES, ETC.



**10-2 COMMON CAVITY
TANK TO TANK
P/N DA1141**

FOR TANK LINE CHECK VALVES, ETC.





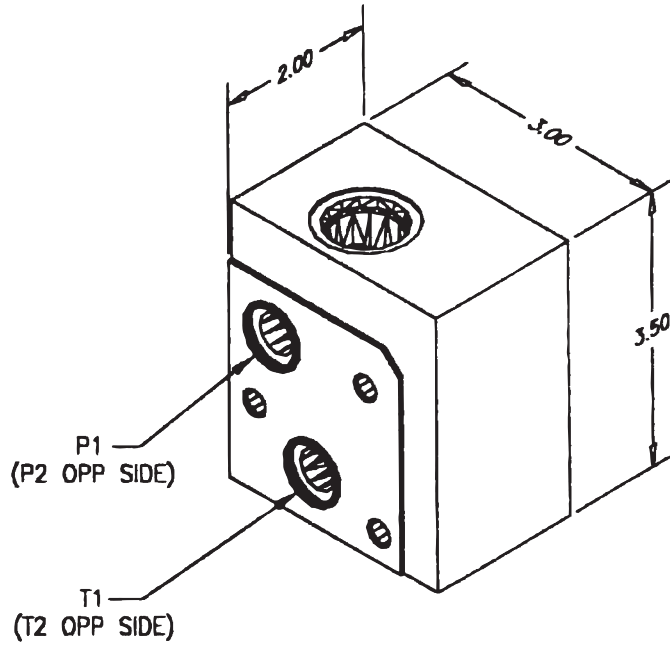
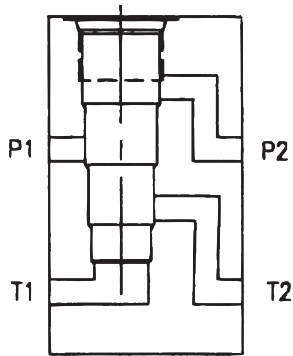
Datum-A-Industries, Inc.

Since 1981

Catalog 2010

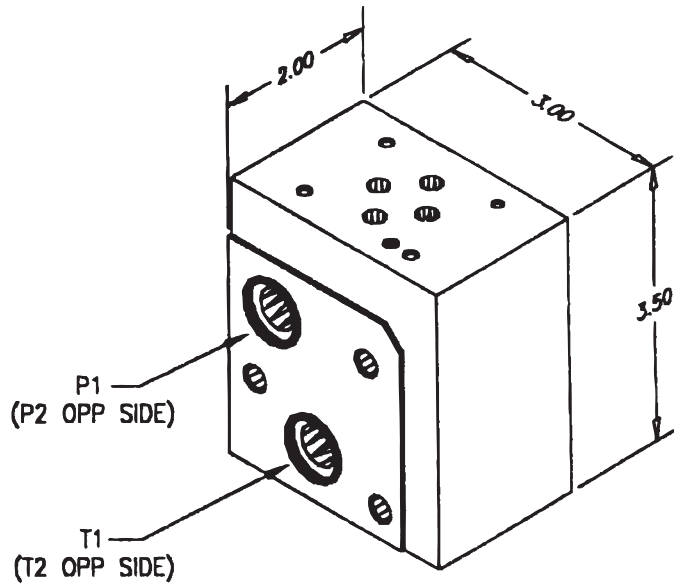
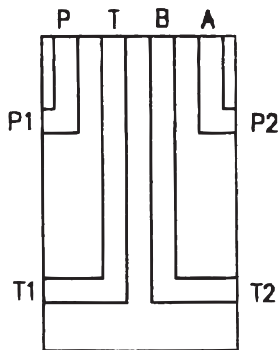
IN LINE 10-4 COMMON CAVITY
P/N DA1121

FOR 10 SIZE 4-WAY VALVES



IN LINE ISO 03
P/N DA1122

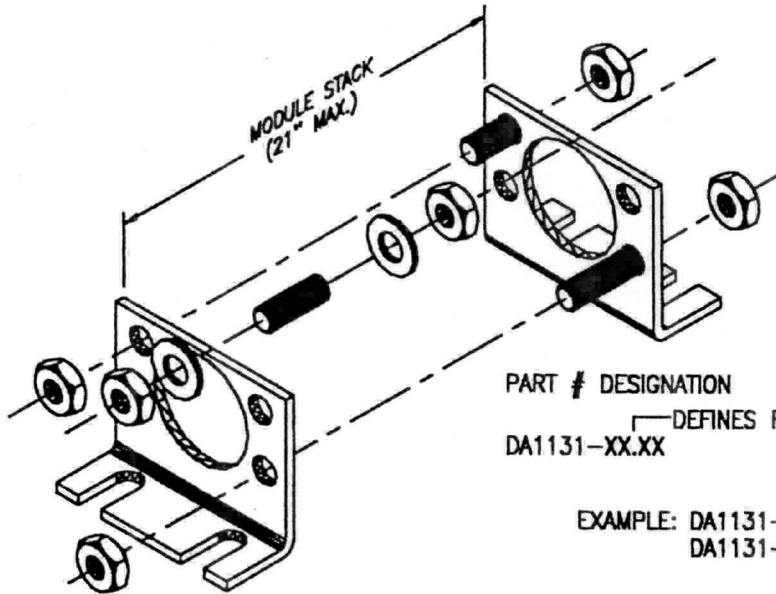
FOR ISO 03 (D03) VALVES





ASSEMBLY KIT
DA1131-XX.XX

-XX.XX = LENGTH OF MODULE STACK + .80 =ROD LENGTH
ROUND UP TO THE NEXT .25 INCH



INCLUDES:

- (3) THREADED RODS
- (6) NUTS
- (2) MOUNTING BRACKETS
- (2) WASHERS

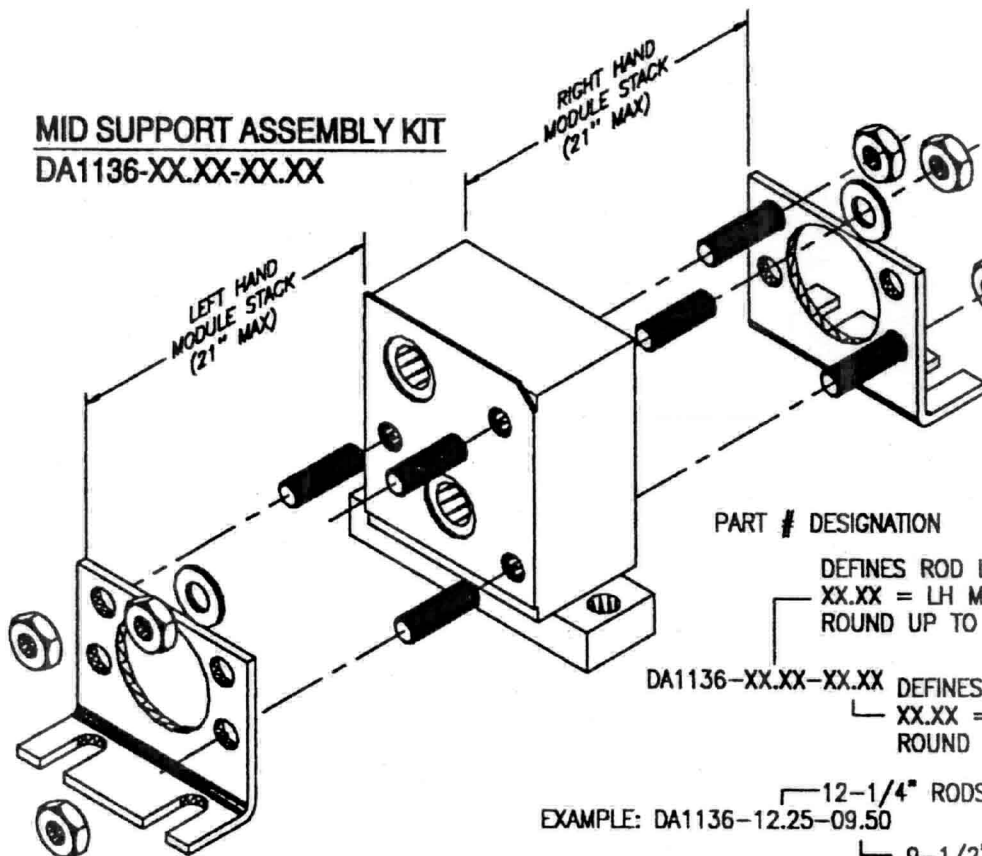
LUBE AND TORQUE
TO 17 FT-LB

PART # DESIGNATION

└───┬───┘ DEFINES ROD LENGTH (.25 INC.)
DA1131-XX.XX

EXAMPLE: DA1131-09.50 = 9-1/2" RODS
DA1131-12.25 = 12-1/4" RODS

MID SUPPORT ASSEMBLY KIT
DA1136-XX.XX-XX.XX



INCLUDES:

- (6) THREADED RODS
- (6) NUTS
- (2) MOUNTING BRACKETS
- (2) WASHERS

LUBE AND TORQUE
TO 17 FT-LB

PART # DESIGNATION

DEFINES ROD LENGTH (LH MODULE STACK)
XX.XX = LH MODULE STACK + 1.07
ROUND UP TO NEXT .25 INCH

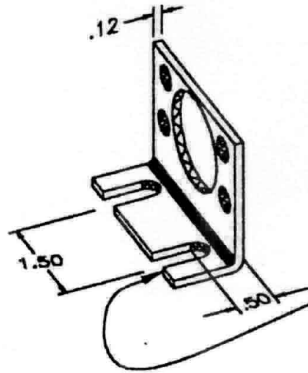
DA1136-XX.XX-XX.XX DEFINES ROD LENGTH (LH MODULE STACK)
└───┬───┘ XX.XX = LH MODULE STACK + 1.07
ROUND UP TO NEXT .25 INCH

└───┬───┘ 12-1/4" RODS LH SIDE
EXAMPLE: DA1136-12.25-09.50
└───┬───┘ 9-1/2" RODS RH SIDE



MOUNTING BRACKET

DA1002

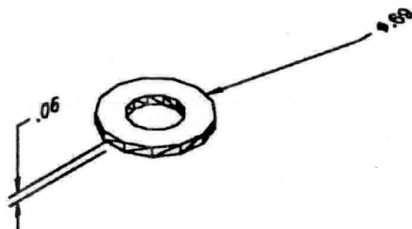


SAME BRACKET WORKS
RIGHT HAND AND LEFT HAND.

SLOTTED FOR 5/16 SCREWS

WASHER

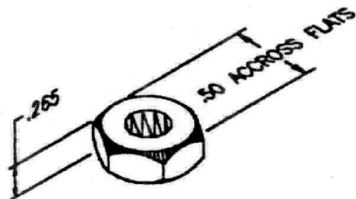
DA1025



5/16 SAE WASHER, GRADE 2, ZINC PLATED

NUT

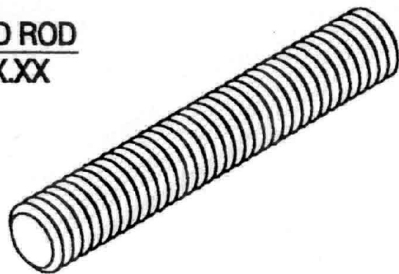
DA1022



5/16-18 UNC, GRADE 8, ZINC PLATED
CAUTION! DO NOT USE A LOWER GRADE.

THREADED ROD

DA1021-XX.XX



-XX.XX = LENGTH OF ROD IN INCHES
(.25 INCREMENTS)

5/16-18 ALLOY THREADED ROD
GRADE ASTM A193 B7
CAUTION! DO NOT USE A LOWER GRADE.

6 FT AND 12 FT LENGTHS AVAILABLE
FOR CUSTOM CUT TO LENGTH APPLICATIONS.

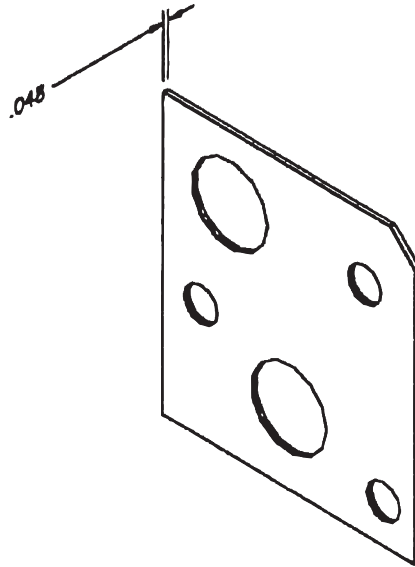


Datum-A-Industries, Inc.

Since 1981

Catalog 2010

SEAL PLATE
P/N DA1001



USE WITH -016 O-RINGS
2 REQ'D PER PLATE

O-RING
P/N DA1010-1

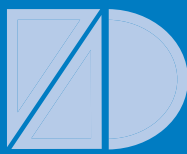


ARP 568
-016

.614±.005 I.D.
.070±.003 C.S.

BUNA N
90 DUROMETER

*OTHER COMPOUNDS AND DUROMETERS AVAILABLE
(CONSULT FACTORY)*



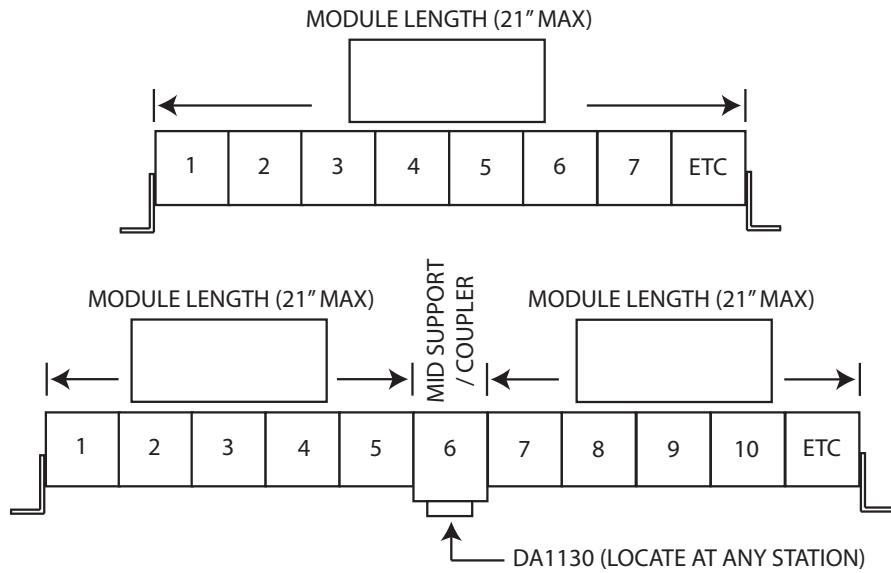
Datum-A-Industries, Inc.

Since 1981

Catalog 2010

JOHNSON BLOCK MANIFOLD SYSTEM™

ASSEMBLY ORDER WORKSHEET



STATION	PART NUMBER	DESCRIPTION	LENGTH	PRICE
1				
2				
3				
4				
5				
6				
7				
8				
9				
10				
11				
12				
13				
14				
15				
16				
ASSEMBLY KIT (INCLUDES FOOT BRACKETS & HARDWARE)				
TOTAL PRICE				

QUANTITY DISCOUNT MULTIPLIER

1-5 = 1.0

6-14 = .95

15-24 = .93

25-49 = .9

MULTIPLIER

QTY REQ'D

NET PRICE EACH

SPECIAL INSTRUCTIONS:

CUSTOMER _____ P.O. _____ DATE _____